

Sink Diade Gun Metal

Kitchen Sinks

Code: 3028 006



DETAILS

Edge/Installation Type Flush-mount | Top-mount

Material AISI 304 stainless steel

Texture Brushed in line

Finish Foster brushed

Finish PVD

Coloring Gun Metal

Base 90 cm

Width 80 cm

Dimensions 800 x 440 mm

Bowl dimension	760 x 400 mm
Built-in hole	View technical data sheet
Standard fittings	Fixing hooks, gasket, drain, overflow and siphon, boxed packing
Mixer holes	No standard holes
Drainer	No
Number of bowls	1 bowl
Waste fitting	3,5" drain

FEATURES

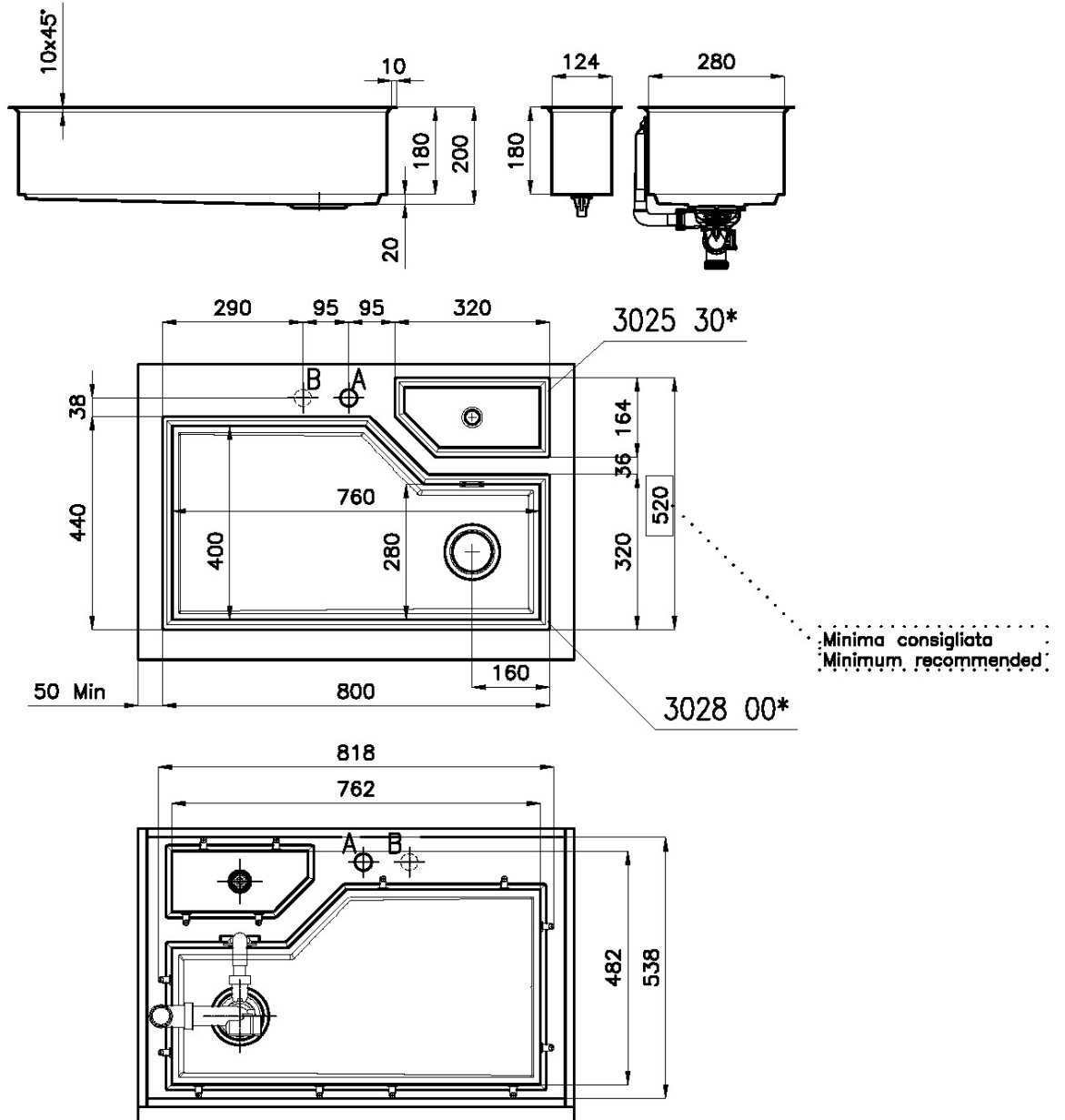
Basket 3,5" waste fitting	The drain is equipped with a large 3.5" drain, with the practical basket cap that prevents the discharge of solid parts.
Deep bowls	This bowls reach an important depth, over 20 cm, thanks to the advanced production technology, that can be offer great capiciency and practicity in all the washing operations.
Gun Metal	The Gun Metal finish is obtained by treating steel with a physical process called PVD (Phisical Vacuum Deposition) which deposits particles of noble metals on the surface. The result is a unique and refined aesthetic effect, and an improvement of the mechanical properties of the steel which is more resistant to impact and scratches.
High thickness	1mm thick steel. A significant thickness, which guarantees the maximum sturdiness and durability.
MOULDED BOTTOM	The moulded bottom guarantees perfect water flow and facilitates cleaning operations thanks to the perimeter step with sloping walls.

Perimetral overflow

The overflow is always a security on the Foster sinks that prevents the overflow of water in case of oversights. The perimeter drain solution improves aesthetics thanks to its square and essential shape.

TECHNICAL DATA

Filotop/Sopratop | Flush-mount/Drop-in-mount
Base 90 | 90 Cabinet

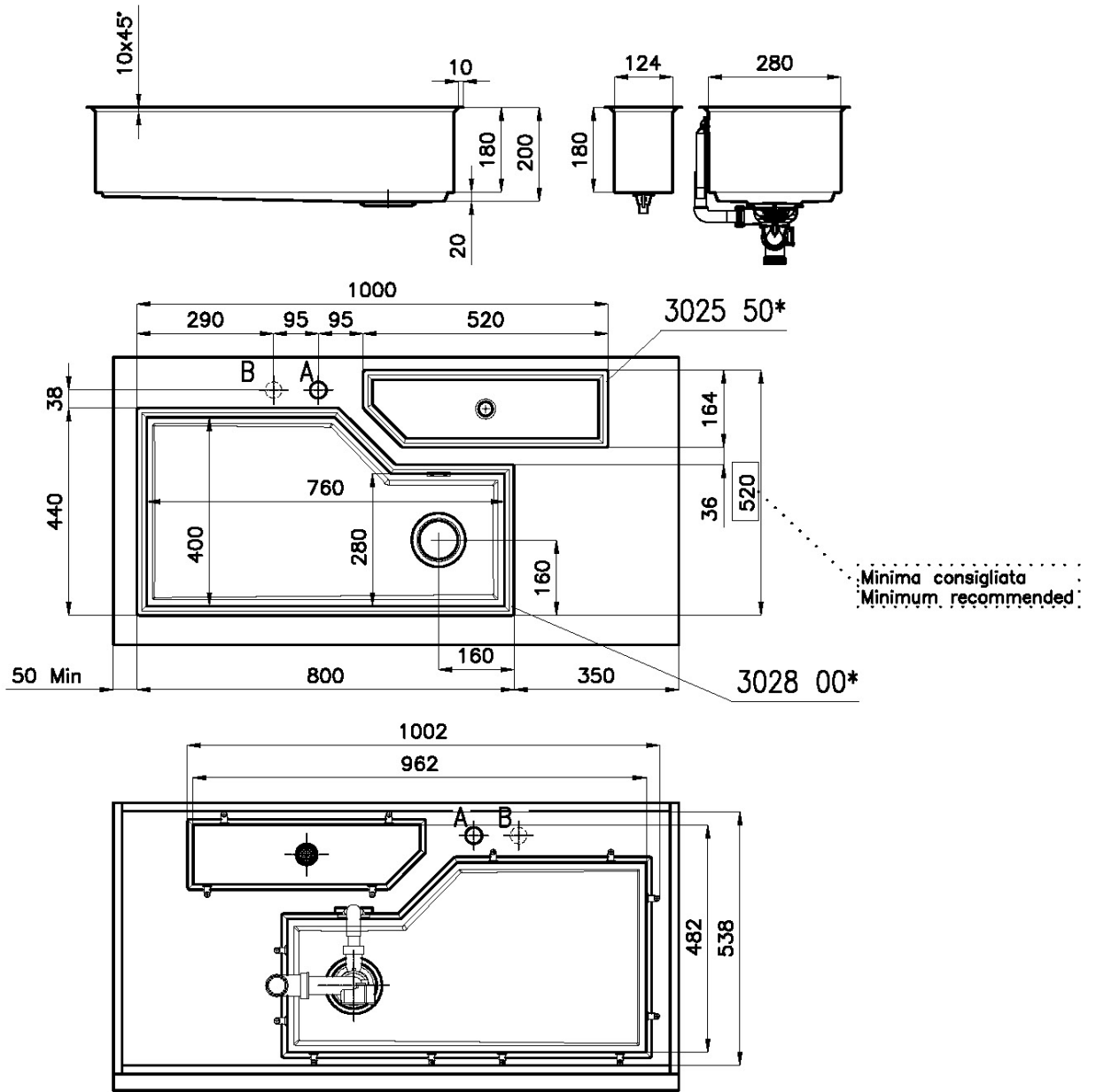


Minima consigliata
Minimum recommended

A: Foro Mix/Mixer tap cut-out

B: Foro comando automatico piletta/Automatic waste-fitting command cut-out

Filotop/Sopratop | Flush-mount/Drop-in-mount Base 120 | 120 Cabinet

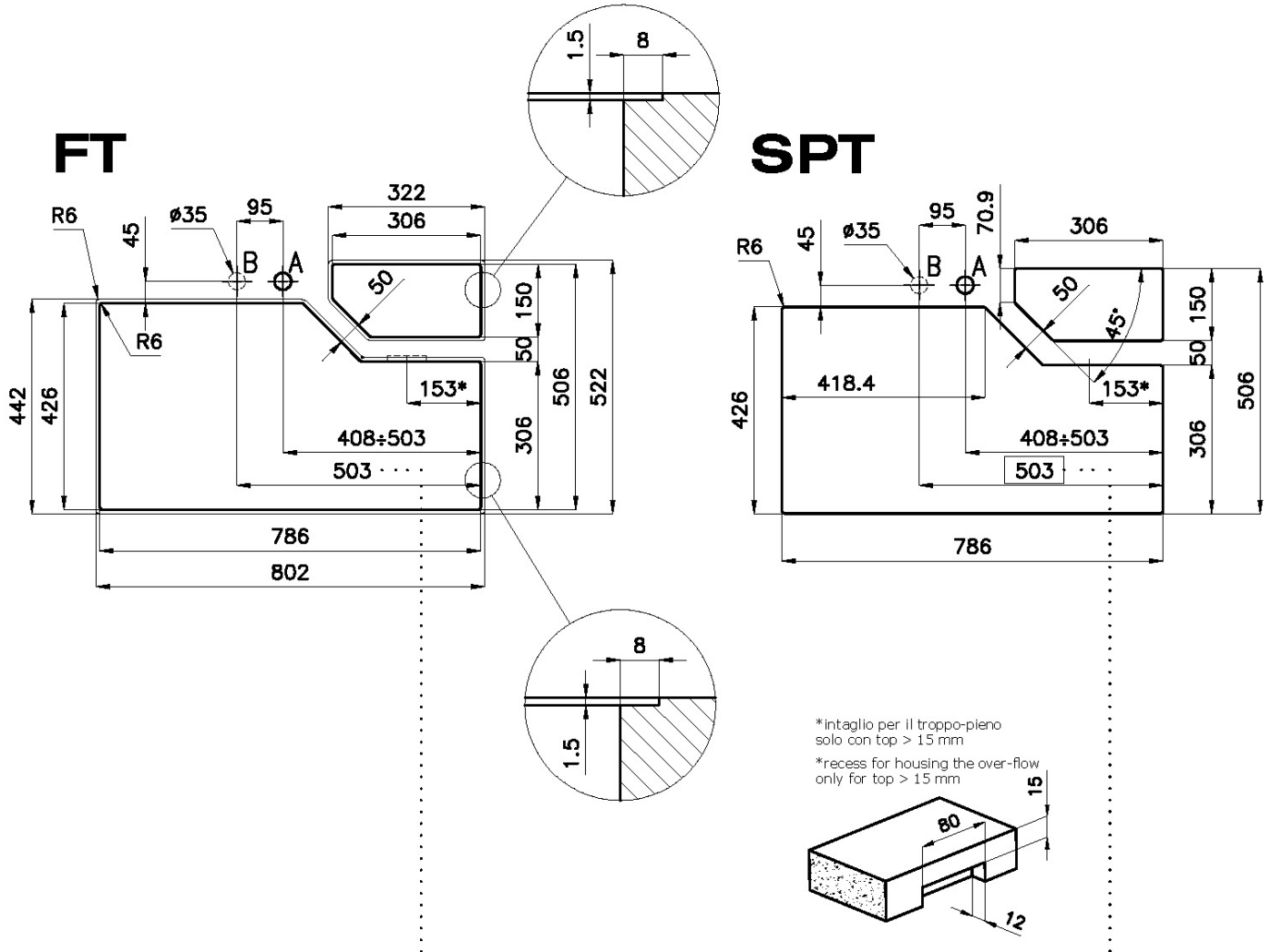


A: Foro Mix/Mixer tap cut-out

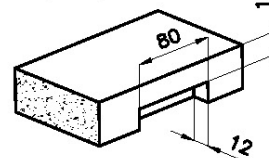
B: Foro comando automatico piletta/Automatic waste-fitting command cut-out

Filotop/Sopratop | Flush-mount/Drop-in-mount Base 90 | 90 Cabinet

Cut out size
Dimensioni per foratura top



*intaglio per il troppo-pieno
solo con top > 15 mm
*recess for housing the over-flow
only for top > 15 mm



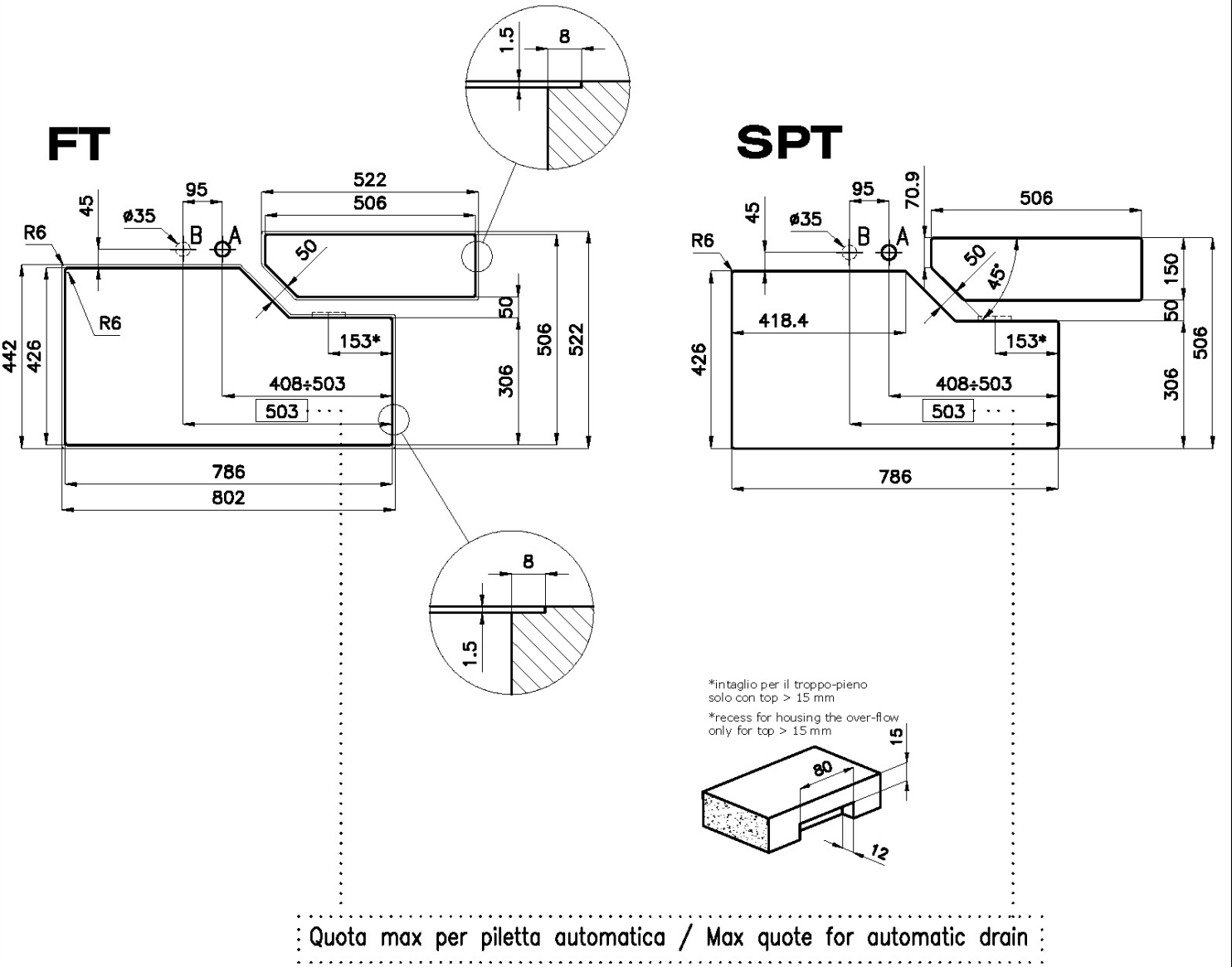
Quota max per piletta automatica / Max quote for automatic drain

sink thickness/spessore acciaio

1

Filotop/Sopratop | Flush-mount/Drop-in-mount Base 120 | 120 Cabinet

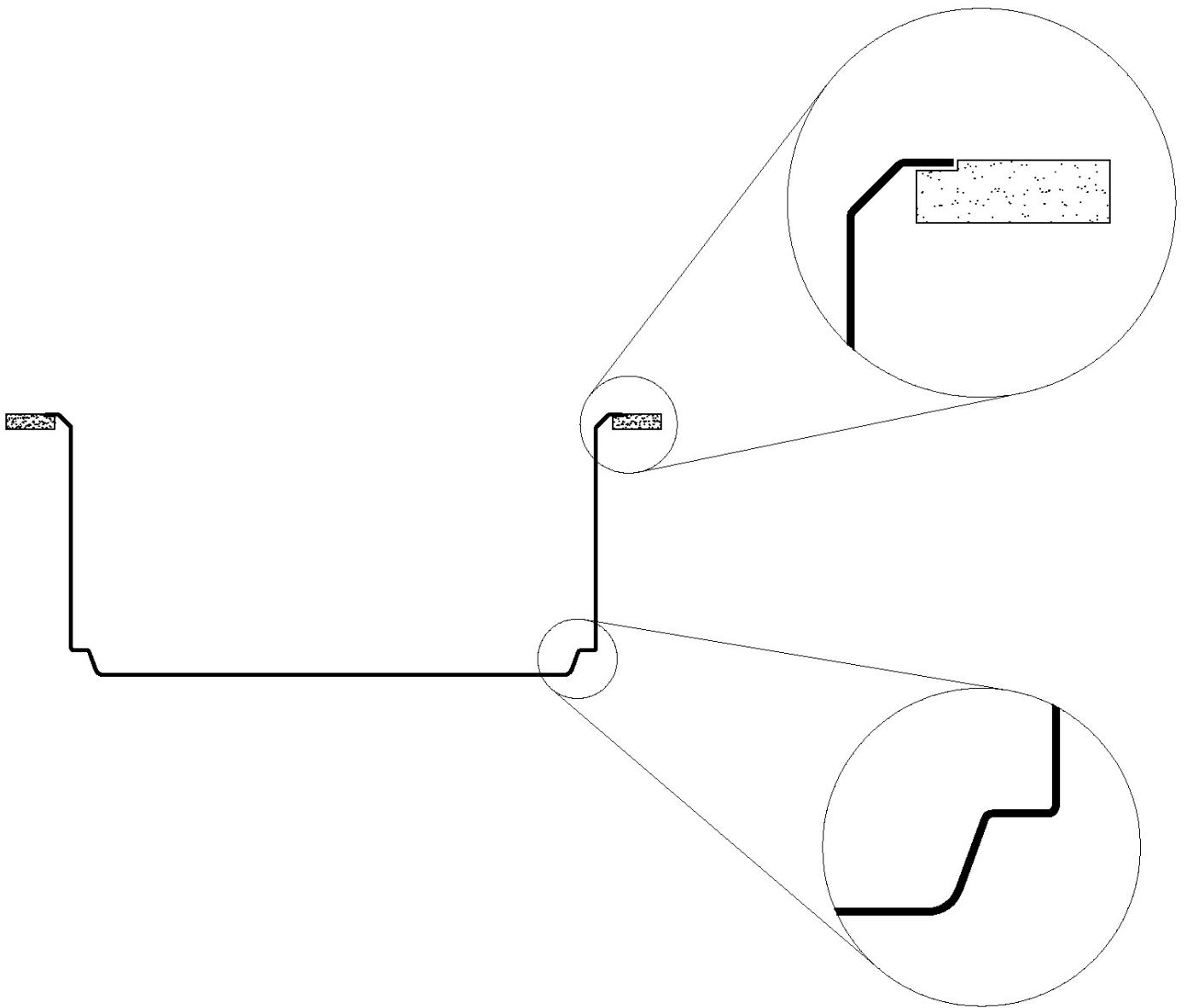
Cut out size
Dimensioni per foratura top



sink thickness/spessore acciaio

1

FILOTOP / SOPRATOP



GALLERY



EQUIPMENT



**Black multifunction chopping
board**

8100 608

OPTIONAL ACCESSORIES



Black lid
8151 005



Iroko-wood round chopping board
8642 005



Stainless steel colander
8151 010



Stainless steel perforated tray
8151 001

RECOMMENDED PAIRINGS



VOLTA GUN METAL
8491 106



Dispenser Evo satin Gun Metal
8520 156



Diade equipped troughs Gun Metal
8100 836



Diade equipped troughs Gun Metal
8100 856



Diade equipped troughs Gun Metal
8100 866

OPTIONAL AUTOMATIC WASTE FITTINGS



**Space Push Gun Metal automatic
waste fitting - PO**
8407 120